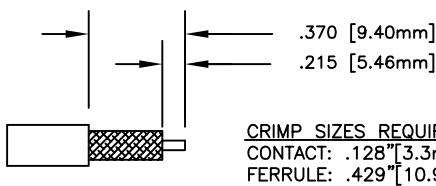
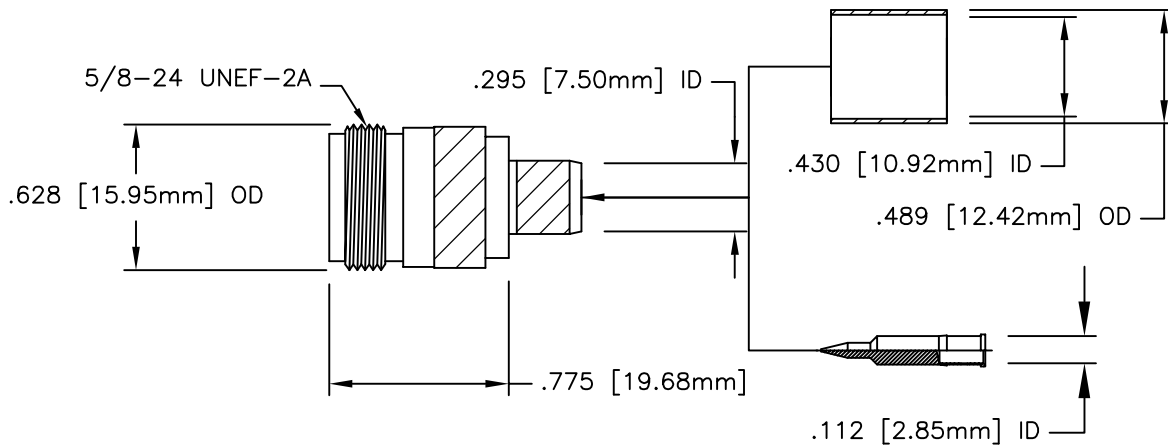


MATERIALS

BODY	NICKEL PLATED BRASS
CONTACT	GOLD PLATED BRASS
INSULATOR	PTFE



**CRIMP SIZES REQUIRED**  
 CONTACT: .128" [3.3mm] HEX CRIMP TOOL  
 FERRULE: .429" [10.9mm] HEX CRIMP TOOL

STRIPPING DIMENSIONS

- NOTES:
1. UNLESS OTHERWISE SPECIFIED ALL DIMENSIONS ARE NOMINAL.
  2. ALL SPECIFICATIONS ARE SUBJECT TO CHANGE WITHOUT NOTICE AT ANY TIME.

				SIZE	TITLE:
				A	Crimp: RP-N-Jack for Cable Group 4

REV	ECN No.	DATE	DESCRIPTION	DRAWN BY	M. Audas	10/26/06	DRAWING No.	REV
				ORIGINATOR	M. Audas	10/26/06	ARNJ-1404	A
				APPROVAL	P. Pesa	10/26/06	PART No. ARNJ-1404	
				SCALE NTS	SHEET 1/1	MATERIAL Noted	FILE No. ARNJ-1404	



Website: www.L-com.com  
 Tel: 1-800-343-1455  
 Copyright © 2009 L-com, Inc.  
 All rights reserved.