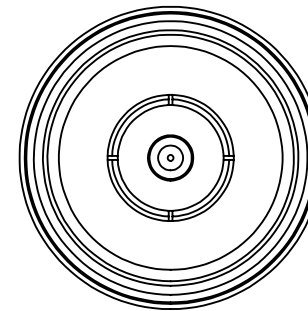
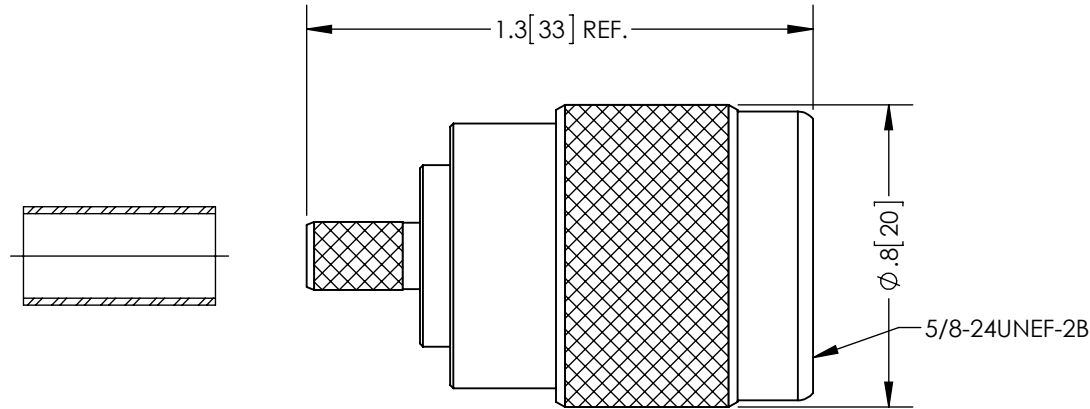
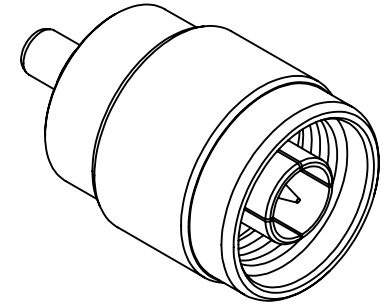


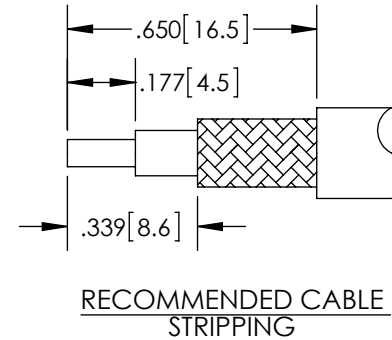
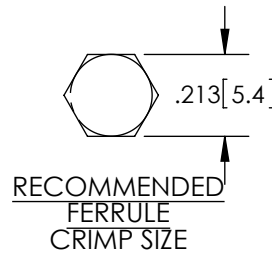
THE INFORMATION CONTAINED IN THIS DRAWING IS THE SOLE PROPERTY OF L-COM, INC. ANY REPRODUCTION IN PART OR WHOLE WITHOUT THE WRITTEN PERMISSION OF L-COM, INC. IS PROHIBITED.

REVISIONS			
REV	DESCRIPTION	DATE	APPROVED
A	INITIAL RELEASE	07/18/13	D.GRIFFIN

DESCRIPTION	MATERIAL	FINISH
CENTER PIN	BRASS	GOLD
BODY	BRASS	NICKEL
SHELL	BRASS	NICKEL
RETAINING RING	BRASS	---
GASKET	RUBBER	---
CRIMP FERRULE	BRASS	NICKEL
INSULATOR	PTFE	---



NOTES:
ELECTRICAL:
 IMPEDANCE: 50 OHMS
 WITHSTAND VOLTAGE: 2500V
 FREQUENCY RANGE: 0~6 GHz
 VSWR: <1.50 @ 0~6 GHz
 DURABILITY: > 500 CYCLE
 CABLE RETENTION: > 30 POUNDS



MISCELLANEOUS:
 NO SOLDERING REQUIRED FOR CENTER CONDUCTOR

COMPONENTS SHALL BE INDIVIDUALLY PACKAGED IN ACCORDANCE WITH L-COM SPECIFICATIONS PS-0031.

ALL DIMENSIONS ARE FOR REFERENCE ONLY.

REGULATORY COMPLIANCE:
 RoHS, CE

UNLESS OTHERWISE SPECIFIED, DIMENSIONS ARE IN INCHES [mm] DIMENSIONAL TOLERANCES: .X = ±.1 .XX = ±.01 .XXX = ±.005 ANGULAR TOLERANCES: ALL = ± 1° PROJECTION 	APPROVALS	DATE	L-com Global Connectivity 45 BEECHWOOD DRIVE NORTH ANDOVER, MA 01845		
	DRAWN BY B.PUCHASKI	07/18/13			
	CHECKED BY K.BURGNER	07/18/13	CATEGORY COAXIAL		
	APPROVED BY P.PESA	07/18/13	PRODUCT DESCRIPTION N-MALE SOLDERLESS CRIMP CONNECTOR FOR LMR195		
	CONFIGURATION DETAILS OF UNDIMENSIONED FEATURES MAY VARY	SIZE A	FSCM NO. 43321	DWG. NO. ANM-1722	REV. A
	COLOR VARIATIONS MAY OCCUR	SCALE: NONE		CAD FILE: ANM-1722.SLDDRW	SHEET 1 OF 1